

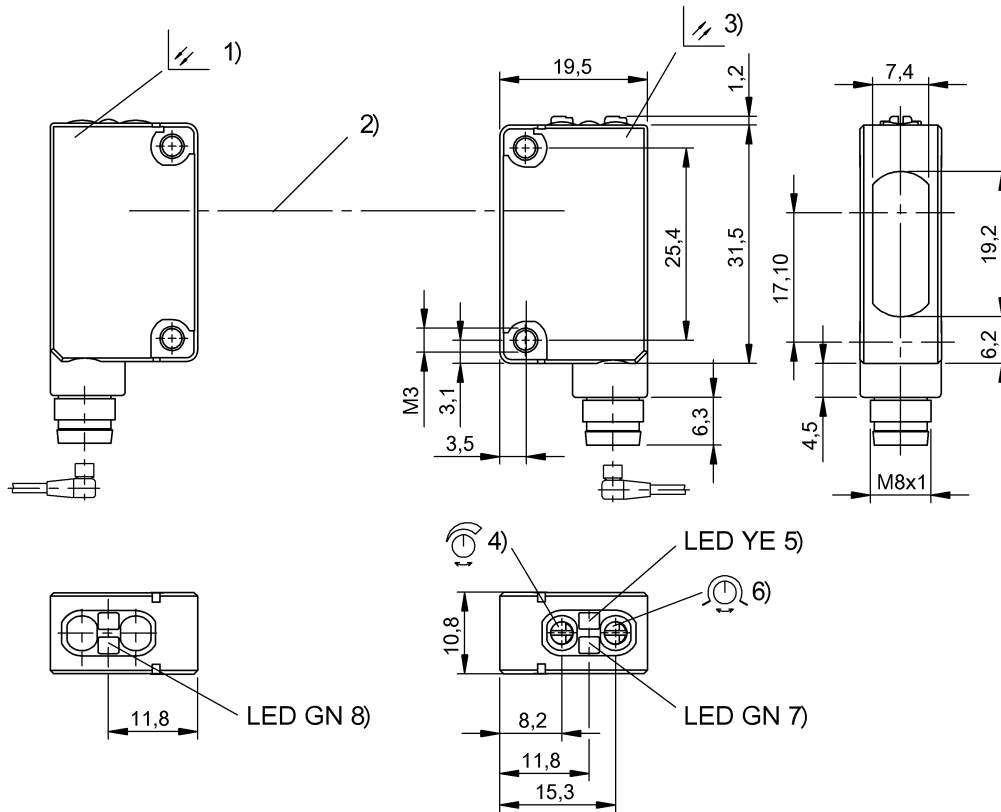
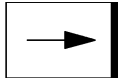
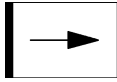
**BOS 5K-PU-LX10-S75**  
**Ordering code: BOS01JP**

Through-beam sensor  
 Series 5K  
 Working Range: 0...30 mm

PNP (1x), antivalent  
 Laser red light, Laserklasse 1  
 DC, direct current

**BALLUFF**

sensors worldwide



1) Emitter, 2) Optical axis, 3) Receiver, 4) Sensitivity, 5) Output function, 6) Light-on / Dark-on, 7) Stability, 8) Power

**Characteristic data**

Operating voltage	10...30 V DC
Connection	Connector, M8x1-S75
Switching freq. f max.	2000 Hz
Short-circuit protected	yes
Protected against polarity reversal	yes
Enclosure Type per IEC 60529	IP67
Indicator	Output function - LED YE Power - LED GN Stability - LED GN
Adjuster	Potentiometer 270° (2x)
Setting	Sensitivity (Sn) Light-on/dark-on

**Optical data**

Principle of optical operation	Through-beam
Switching function, optical	NO/NC: dark-on/light-on
Light spot size, typical	Ø5 mm at 3 m
Light type	Laser red light
Wavelength	650 nm
Ambient light max.	5,000 Lux
Laser class per IEC 60825-1	1
Average power Po max.	< 390 µW (IEC 60825-1)

**Electrical data**

Rated operating voltage Ue DC	24,0 V
Effective operating current Ie	100 mA
Ripple max. (% of Ue)	10
Switching output	PNP (1x)
Switching function	NO/NC
Turn-off delay toff max.	0,25 ms
Turn-on delay ton max.	0,25 ms
No-load current max. Io at Ue	45 mA
Voltage drop Ud max. (at Ie)	1,5 V

**Mechanical data**

Eff. switching distance Sr	30.000 mm
Operating range Ro	0...30 m
Beam characteristic	Divergent
Range Sn	Sn = 30 m, adjustable
Connector type	M8x1-S75
Sensing surface material	PMMA
Housing material	PC, PBT
Mounting type	Screw M3
Design	Block, 90° connection
Ambient temperature	-10...55 °C

**BOS 5K-PU-LX10-S75**  
**Ordering code: BOS01JP**

Through-beam sensor  
 Series 5K  
 Working Range: 0...30 mm

**BALLUFF**

sensors worldwide

PNP (1x), antivalent  
 Laser red light, Laserklasse 1  
 DC, direct current

**Basic data**

Basic standard

IEC 60947-5-2

Operating object (test target): Gray card, 200 x 200, lateral approach

To meet EMC requirements according EN 60947-5-2 the mounting bracket must not be grounded.

Only for NFPA 79 applications (machines with a supply voltage of maximum 600 volts). Device shall be connected only by using any R/C (CYJV2) cord, having suitable ratings.

For additional information, refer to user's guide.

Order accessories separately.

For use as UL listed product the Ambient temperature  $T_a$  max. may not exceed the value of 50°C.



LISTED IND. CONT. EQ. 31MY  
 for use in the secondary of  
 a class 2 source of supply

